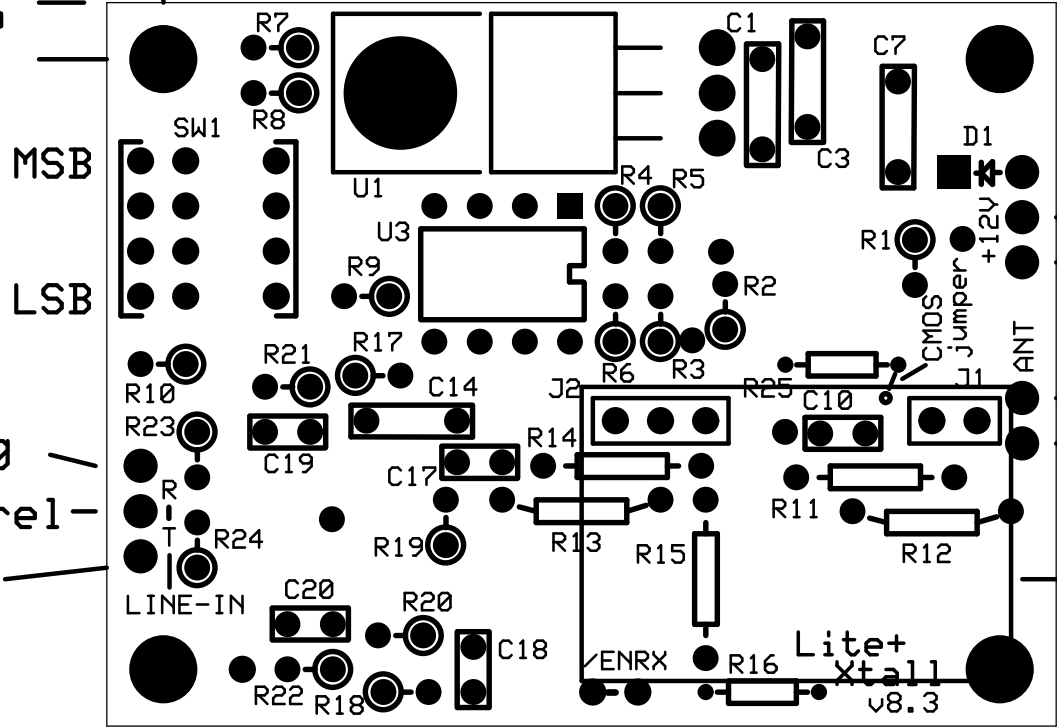


0.125" typical at four mounting holes

0.125"



MSB  
LSB

To Line-in Ring  
To Line-in barrel  
To Line-in Tip

+12 V PWR in  
PWR return

ANT input  
ANT return

BPF plugs on  
top of board

1.6"

2.1"