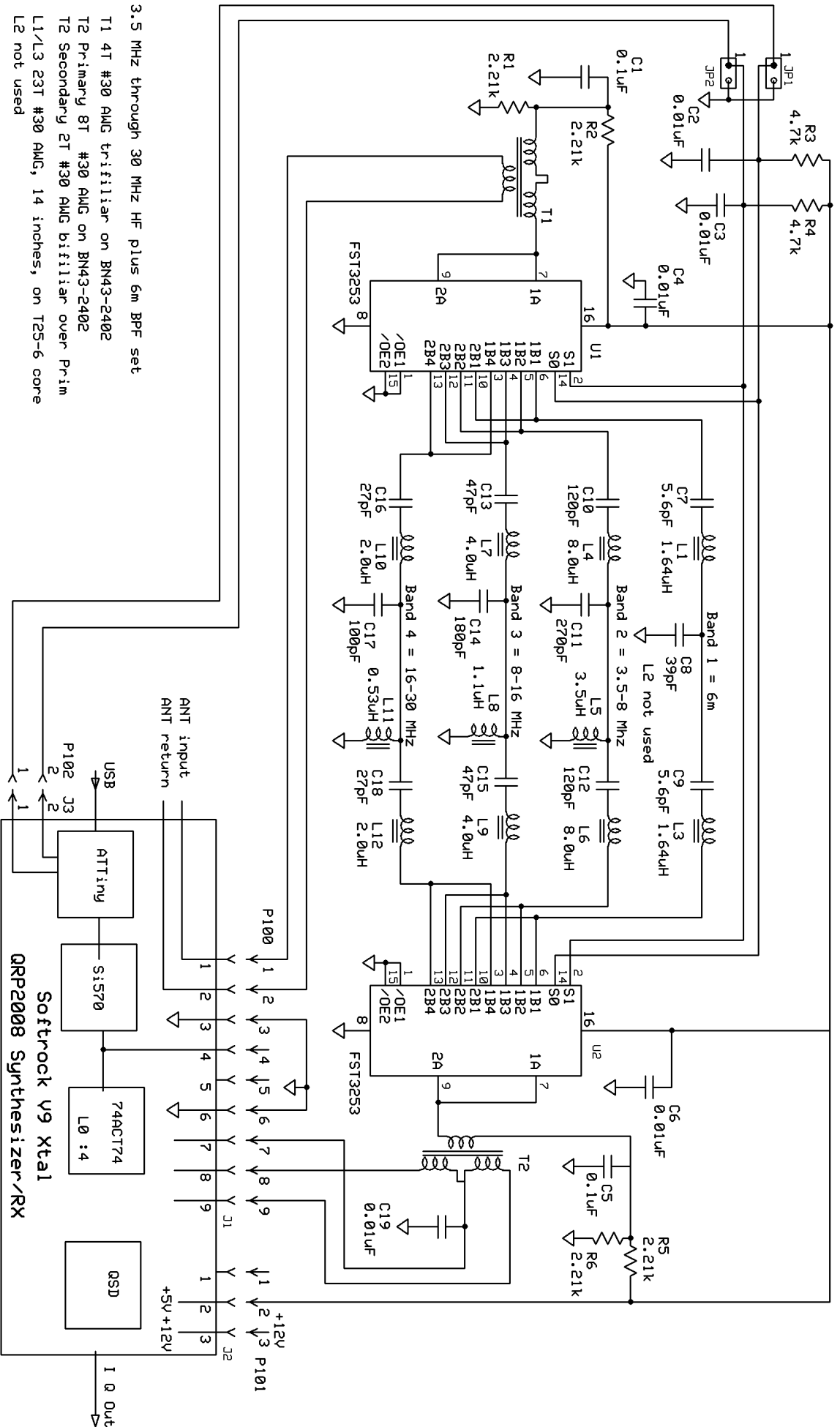


SOFTROCK V9 GENERAL COVERAGE PRESELECTORS 3.5 MHz - 30 MHz plus 6m

Band 1 = 6m
 Band 2 = 3.5 - 8 MHz
 Band 3 = 8 - 16 MHz
 Band 4 = 16 - 30 MHz



3.5 MHz through 30 MHz HF plus 6m BPF set.

- T1 4T #30 AWG tri-filter on BN43-2402
- T2 Primary 8T #30 AWG on BN43-2402
- T2 Secondary 2T #30 AWG bifilar over Prim
- L1/L3 23T #30 AWG, 14 inches, on T25-6 core
- L2 not used
- L4/L6 49T #30 AWG, 22 inches, on T25-2 core
- L5 32T #30 AWG, 14 inches, on T25-2 core
- L7/L9 38T #30 AWG, 18 inches, on T25-6 core
- L8 20T #30 AWG, 11 inches, on T25-6 core
- L10/L12 27T #30 AWG, 16 inches, on T25-6 core
- L11 14T #30 AWG, 10 inches, on T25-6 core

QRP2000 DESIGN TEAM © 2008 QRP2000 Design

Softrock V9 HF BPF